

Installation Note

Configurable Test Set Upgrade Kit

Upgrade Kit Number: N5230-60102

For N5230A Standard Test Set, 6 GHz and 13.5 GHz, 2-Port PNA-L

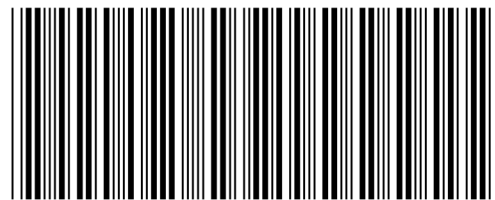


Agilent Technologies

Agilent Part Number: N5230-90004

Printed in USA February 2005

© Agilent Technologies, Inc. 2005



N5230-90004

WARRANTY STATEMENT

THE MATERIAL CONTAINED IN THIS DOCUMENT IS PROVIDED “AS IS,” AND IS SUBJECT TO BEING CHANGED, WITHOUT NOTICE, IN FUTURE EDITIONS. FURTHER, TO THE MAXIMUM EXTENT PERMITTED BY APPLICABLE LAW, AGILENT DISCLAIMS ALL WARRANTIES, EITHER EXPRESS OR IMPLIED WITH REGARD TO THIS MANUAL AND ANY INFORMATION CONTAINED HEREIN, INCLUDING BUT NOT LIMITED TO THE IMPLIED WARRANTIES OF MERCHANTABILITY AND FITNESS FOR A PARTICULAR PURPOSE. AGILENT SHALL NOT BE LIABLE FOR ERRORS OR FOR INCIDENTAL OR CONSEQUENTIAL DAMAGES IN CONNECTION WITH THE FURNISHING, USE, OR PERFORMANCE OF THIS DOCUMENT OR ANY INFORMATION CONTAINED HEREIN. SHOULD AGILENT AND THE USER HAVE A SEPARATE WRITTEN AGREEMENT WITH WARRANTY TERMS COVERING THE MATERIAL IN THIS DOCUMENT THAT CONFLICT WITH THESE TERMS, THE WARRANTY TERMS IN THE SEPARATE AGREEMENT WILL CONTROL.

DFARS/Restricted Rights Notice

If software is for use in the performance of a U.S. Government prime contract or subcontract, Software is delivered and licensed as “Commercial computer software” as defined in DFAR 252.227-7014 (June 1995), or as a “commercial item” as defined in FAR 2.101(a) or as “Restricted computer software” as defined in FAR 52.227-19 (June 1987) or any equivalent agency regulation or contract clause. Use, duplication or disclosure of Software is subject to Agilent Technologies’ standard commercial license terms, and non-DOD Departments and Agencies of the U.S. Government will receive no greater than Restricted Rights as defined in FAR 52.227-19(c)(1-2) (June 1987). U.S. Government users will receive no greater than Limited Rights as defined in FAR 52.227-14 (June 1987) or DFAR 252.227-7015 (b)(2) (November 1995), as applicable in any technical data.

Safety Notes

The following safety notes are used throughout this document. Familiarize yourself with each of these notes and its meaning before performing any of the procedures in this document.

WARNING	Warning denotes a hazard. It calls attention to a procedure which, if not correctly performed or adhered to, could result in injury or loss of life. Do not proceed beyond a warning note until the indicated conditions are fully understood and met.
----------------	---

CAUTION	Caution denotes a hazard. It calls attention to a procedure that, if not correctly performed or adhered to, could result in damage to or destruction of the instrument. Do not proceed beyond a caution sign until the indicated conditions are fully understood and met.
----------------	---

Getting Assistance from Agilent

By internet, phone, or fax, get assistance with all your test and measurement needs.

This information supersedes all prior HP contact information.			
Online assistance: www.agilent.com/find/assist			
Americas			
Brazil (tel) (+55) 11 3351 7012 (fax) (+55) 11 3351 7024	Canada (tel) +1 877 894 4414 (fax) +1 303 662 3369	Mexico (tel) 1 800 254 2440 (fax) 1 800 254 4222	United States (tel) 800 829 4444 (alt) (+1) 303 662 3998 (fax) 800 829 4433
Asia Pacific and Japan			
Australia (tel) 1 800 225 574 (fax) 1 800 681 776 (fax) 1 800 225 539	China (tel) 800 810 0508 (alt) 800 810 0510 (fax) 800 810 0507 (fax) 800 810 0362	Hong Kong (tel) 800 933 229 (fax) 800 900 701	India (tel) 1600 112 626 (fax) 1600 112 727 (fax) 1600 113 040
Japan (Bench) (tel) 0120 32 0119 (alt) (+81) 426 56 7799 (fax) 0120 01 2144	Japan (On-Site) (tel) 0120 802 363 (alt) (+81) 426 56 7498 (fax) (+81) 426 60 8953	Singapore (tel) 1 800 275 0880 (fax) (+65) 6755 1235 (fax) (+65) 6755 1214	South Korea (tel) 080 778 0011 (fax) 080 778 0013
Taiwan (tel) 0800 047 669 (fax) 0800 047 667 (fax) 886 3492 0779	Thailand (tel) 1 800 2758 5822 (alt) (+66) 2267 5913 (fax) 1 800 656 336	Malaysia (tel) 1800 880 399 (fax) 1800 801 054	
Europe			
Austria (tel) 0820 87 44 11* (fax) 0820 87 44 22	Belgium (tel) (+32) (0)2 404 9340 (alt) (+32) (0)2 404 9000 (fax) (+32) (0)2 404 9395	Denmark (tel) (+45) 7013 1515 (alt) (+45) 7013 7313 (fax) (+45) 7013 1555	Finland (tel) (+358) 10 855 2100 (fax) (+358) (0) 10 855 2923
France (tel) 0825 010 700* (alt) (+33) (0)1 6453 5623 (fax) 0825 010 701*	Germany (tel) 01805 24 6333* (alt) 01805 24 6330* (fax) 01805 24 6336*	Ireland (tel) (+353) (0)1 890 924 204 (alt) (+353) (0)1 890 924 206 (fax) (+353) (0)1 890 924 024	Israel (tel) (+972) 3 9288 500 (fax) (+972) 3 9288 501
Italy (tel) (+39) (0)2 9260 8484 (fax) (+39) (0)2 9544 1175	Luxemburg (tel) (+32) (0)2 404 9340 (alt) (+32) (0)2 404 9000 (fax) (+32) (0)2 404 9395	Netherlands (tel) (+31) (0)20 547 2111 (alt) (+31) (0)20 547 2000 (fax) (+31) (0)20 547 2190	Russia (tel) (+7) 095 797 3963 (alt) (+7) 095 797 3900 (fax) (+7) 095 797 3901
Spain (tel) (+34) 91 631 3300 (alt) (+34) 91 631 3000 (fax) (+34) 91 631 3301	Sweden (tel) 0200 88 22 55* (alt) (+46) (0)8 5064 8686 (fax) 020 120 2266*	Switzerland (French) (tel) 0800 80 5353 opt. 2* (alt) (+33) (0)1 6453 5623 (fax) (+41) (0)22 567 5313	Switzerland (German) (tel) 0800 80 5353 opt. 1* (alt) (+49) (0)7031 464 6333 (fax) (+41) (0)1 272 7373
Switzerland (Italian) (tel) 0800 80 5353 opt. 3* (alt) (+39) (0)2 9260 8484 (fax) (+41) (0)22 567 5314	United Kingdom (tel) (+44) (0)7004 666666 (alt) (+44) (0)7004 123123 (fax) (+44) (0)7004 444555		
(tel) = primary telephone number; (alt) = alternate telephone number; (fax) = FAX number; * = in country number 11/16/04			

Description of the Upgrade

This upgrade converts your standard test set analyzer to a configurable test set analyzer by adding Option 014, Configurable Test Set and Option 1E1, Source Attenuators.

Option 014, Configurable Test Set adds the additional cabling necessary to allow your analyzer to perform measurements on high power devices and on devices with high dynamic range.

Option 1E1, Source Attenuators adds a 60-dB step attenuator in the signal path of each of the measurement ports. These attenuators are used to adjust the power level (in 10 dB steps) to the device under test (DUT) without changing the power in the reference path.

About Installing the Upgrade

Products affected	N5230A; standard test set, 6 GHz, 2-port N5230A; standard test set, 13.5 GHz, 2-port
Installation to be performed by	Agilent service center or personnel qualified by Agilent
Estimated installation time	2.0 hours
Estimated adjustment time	0.5 hours
Estimated full instrument calibration time	4.5 hours

Items Included in the Upgrade Kit

Check the contents of your kit against the following list. If any part is missing or damaged, contact Agilent Technologies. Refer to [“Getting Assistance from Agilent”](#) on page 3.

Table 1 Contents of Upgrade Kit N5230-60102

Ref Desig.	Description	Qty	Part Number
	Installation note (this document)	1	N5230-90004
A25, A26	0–60 dB step attenuator	2	33321-60065
	Machine screw, M3 x 10, pan head (to attach attenuators)	4	0515-0374
	Ribbon cable, A25 step attenuator to A16 test set motherboard P510	1	8121-0819
	Ribbon cable, A26 step attenuator to A16 test set motherboard P512	1	8121-0119
	Cable tie (to secure cables W47 and W51 to the side frame)	6	1400-0249
	Lower front panel overlay (for configurable test set)	1	N5240-80002
W40	RF cable, A19 SSLAM to A25 port 1 step attenuator	1	N5240-20023
W41	RF cable, A19 SSLAM to A26 port 2 step attenuator	1	N5240-20024
W42	RF cable, A25 port 1 step attenuator to PORT 1 SOURCE OUT	1	N5240-20022
W43	RF cable, A26 port 2 step attenuator to PORT 2 SOURCE OUT	1	N5240-20022
W44	RF cable, PORT 1 CPLR THRU to A21 test port 1 coupler	2	N5240-20013
W45	RF cable, PORT 2 CPLR THRU to A22 test port 2 coupler		
W46	RF cable, A19 SSLAM (R1) to REFERENCE 1 SOURCE OUT	1	N5240-20034
W47	RF cable, A19 SSLAM (R2) to REFERENCE 2 SOURCE OUT	1	N5240-20036
W48	RF cable, A21 test port 1 coupler to PORT 1 CPLR ARM	1	N5240-20011
W49	RF cable, A22 test port 2 coupler to PORT 2 CPLR ARM	1	N5240-20012
W50	RF cable, PORT 1 RCVR A IN to A20 mixer brick (A)	1	N5240-20009
W51	RF cable, REFERENCE 1 RCVR R1 IN to A20 mixer brick (R1)	1	N5240-20017
W52	RF cable, REFERENCE 2 RCVR R2 IN to A20 mixer brick (R2)	1	N5240-20018
W53	RF cable, PORT 2 RCVR B IN to A20 mixer brick (B)	1	N5240-20010
W60	Front-panel jumper	6	08720-20098

Installation Procedure for the Upgrade

The network analyzer must be in proper working condition prior to installing this option. Any necessary repairs must be made before proceeding with this installation.

WARNING **This installation requires the removal of the analyzer’s protective outer covers. The analyzer must be powered down and disconnected from the mains supply before performing this procedure.**

Electrostatic Discharge Protection

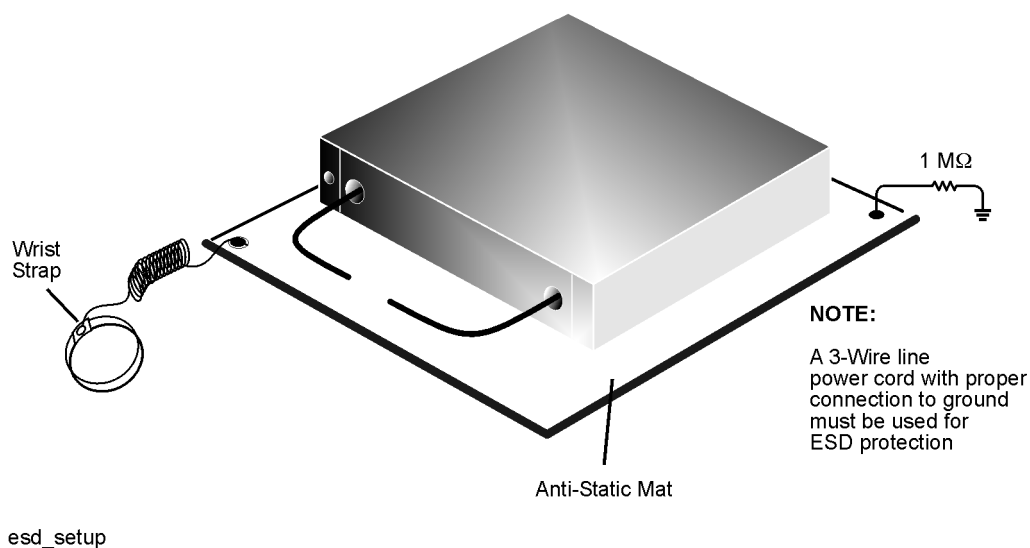
Protection against electrostatic discharge (ESD) is essential while removing or connecting cables or assemblies within the network analyzer.

Static electricity can build up on your body and can easily damage sensitive internal circuit elements when discharged. Static discharges too small to be felt can cause permanent damage. To prevent damage to the instrument:

- *always* have a grounded, conductive table mat in front of your test equipment.
- *always* wear a grounded wrist strap, connected to a grounded conductive table mat, having a 1 M Ω resistor in series with it, when handling components and assemblies or when making connections.
- *always* wear a heel strap when working in an area with a conductive floor. If you are uncertain about the conductivity of your floor, wear a heel strap.
- *always* ground yourself before you clean, inspect, or make a connection to a static-sensitive device or test port. You can, for example, grasp the grounded outer shell of the test port or cable connector briefly.

Figure 1 shows a typical ESD protection setup using a grounded mat and wrist strap. Refer to “Tools and Equipment Required for the Installation” on page 7 for part numbers.

Figure 1 ESD Protection Setup



Overview of the Installation Procedure

Step 1. Remove the Outer Cover.

Step 2. Remove the Front Panel Assembly.

Step 3. Remove the Existing Cables.

Step 4. Install the Step Attenuators.

Step 5. Install the New Cables.

Step 6. Replace the Lower Front Panel Overlay.

Step 7. Reinstall the Front Panel Assembly and Install the Front Panel Jumpers.

Step 8. Reinstall the Outer Cover.

Step 9. Enable Options 014 and 1E1.

Step 10. Perform Post-Upgrade Adjustments and Calibration.

Tools and Equipment Required for the Installation

Description	Qty	Part Number
T-10 TORX driver (set to 9 in-lbs)	1	N/A
T-20 TORX driver (set to 21 in-lbs)	1	N/A
5/16-in torque wrench (set to 10 in-lbs)	1	N/A
5/16-in torque wrench (set to 21 in-lbs)	1	N/A
ESD grounding wrist strap	1	9300-1367
5-ft grounding cord for wrist strap	1	9300-0980
2 x 4 ft conductive table mat and 15-ft grounding wire	1	9300-0797
ESD heel strap (for use with conductive floors)	1	9300-1308

CAUTION Use a 5/16-in torque wrench set to 10 in-lbs on all cable connections except the front-panel cable connectors. Use a 5/16-in torque wrench set to 21 in-lbs for these connections.

Equipment Required for Post-Upgrade Adjustments

Equipment Type	Model or Part Number	Alternate Model or Part Number
Power meter	E4418B/E4419B	E4418A/E4419A
Power sensor, 3.5 mm	E4413A	8485A
Adapter, 3.5 mm (f) to 3.5 mm (f)	83059B	85052-60012
RF cable, 3.5 mm (f) to 3.5 mm (f)	85131C	85131E

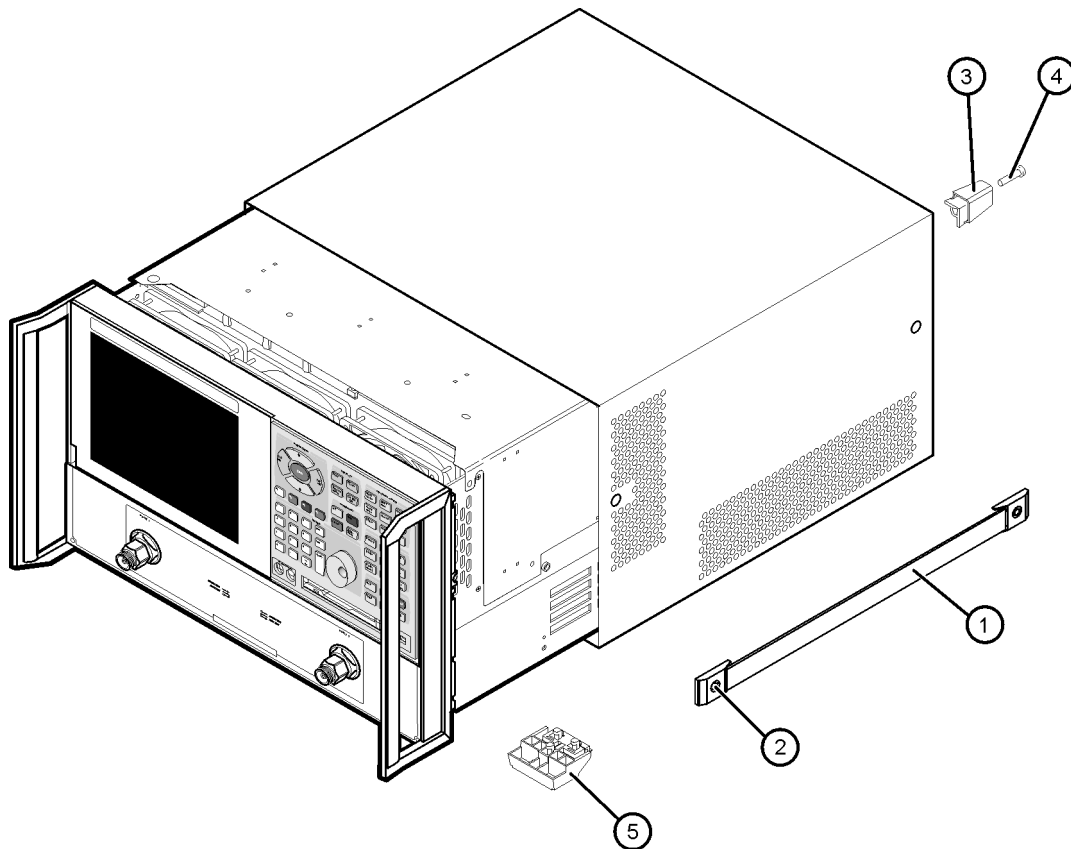
Step 1. Remove the Outer Cover

CAUTION This procedure is best performed with the analyzer resting on its front handles in the vertical position. *Do not place the analyzer on its front panel without the handles.* This will damage the front panel assemblies.

Refer to [Figure 2](#) for this procedure.

1. Disconnect the power cord (if it has not already been disconnected).
2. With a T-20 TORX driver, remove the strap handles (item ①) by loosening the screws (item ②) on both ends until the handle is free of the analyzer.
3. With a T-20 TORX driver, remove the four rear panel feet (item ③) by removing the center screws (item ④).
4. Slide the four bottom feet (item ⑤) off the cover.
5. Slide the cover off of the frame.

Figure 2 Outer Cover Removal



dt501a

Step 2. Remove the Front Panel Assembly

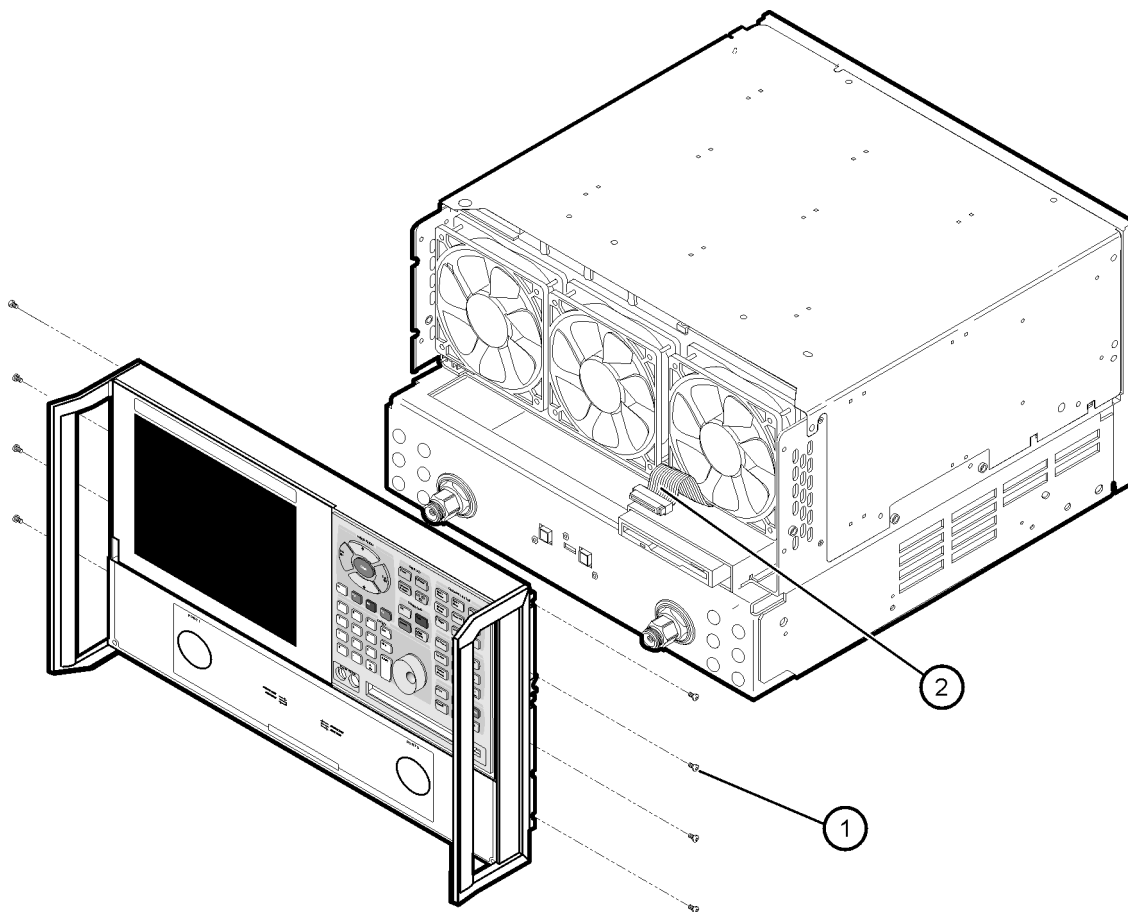
Refer to [Figure 3](#) for this procedure.

1. With a T-10 TORX driver, remove the eight screws (item ①) from the sides of the frame.

CAUTION Before removing the front panel from the analyzer, lift and support the front of the analyzer chassis.

2. Slide the front panel over the test port connectors.
3. Disconnect the front panel interface ribbon cable (item ②). The front panel is now free from the analyzer.

Figure 3 Front Panel Assembly Removal



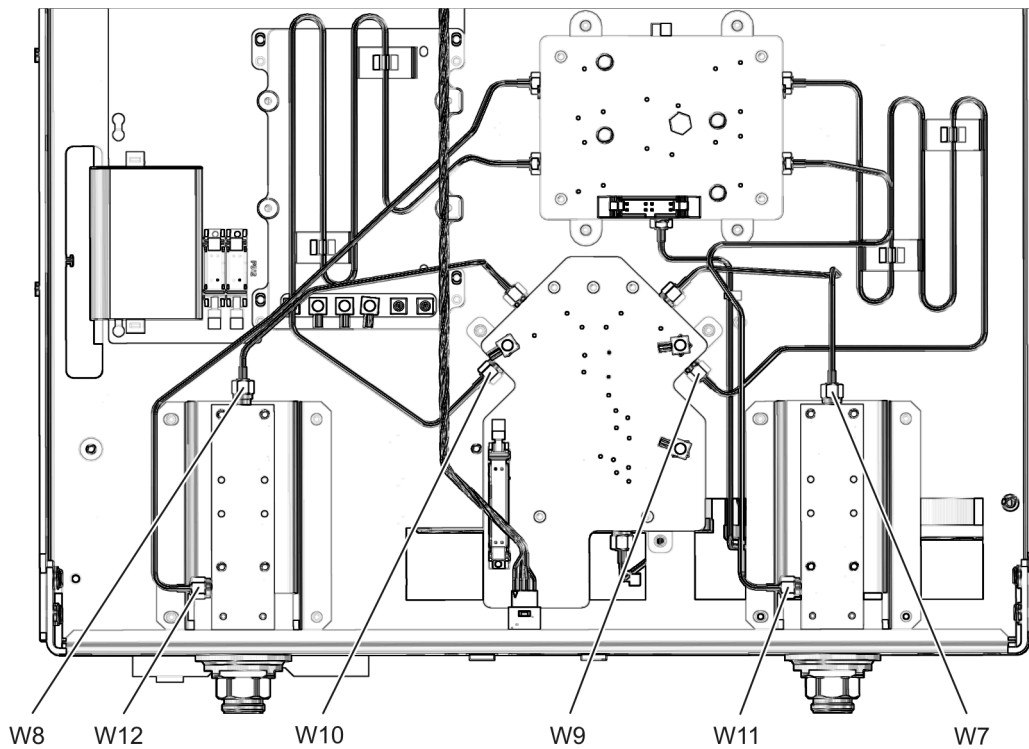
dt513a

Step 3. Remove the Existing Cables

Refer to [Figure 4](#) for this procedure.

1. Place the analyzer bottom-side up on a flat surface.
2. Remove the following cables in the order listed:
 - W7 A19 SSLAM to A21 test port 1 coupler
 - W9 A19 SSLAM (R1) to A20 mixer brick (R1)
 - W11 A21 test port 1 coupler to A20 mixer brick (A)
 - W8 A19 SSLAM to A22 test port 2 coupler
 - W10 A19 SSLAM (R2) to A20 mixer brick (R2)
 - W12 A22 test port 2 coupler to A20 mixer brick (B)

Figure 4 Old Cable Removal



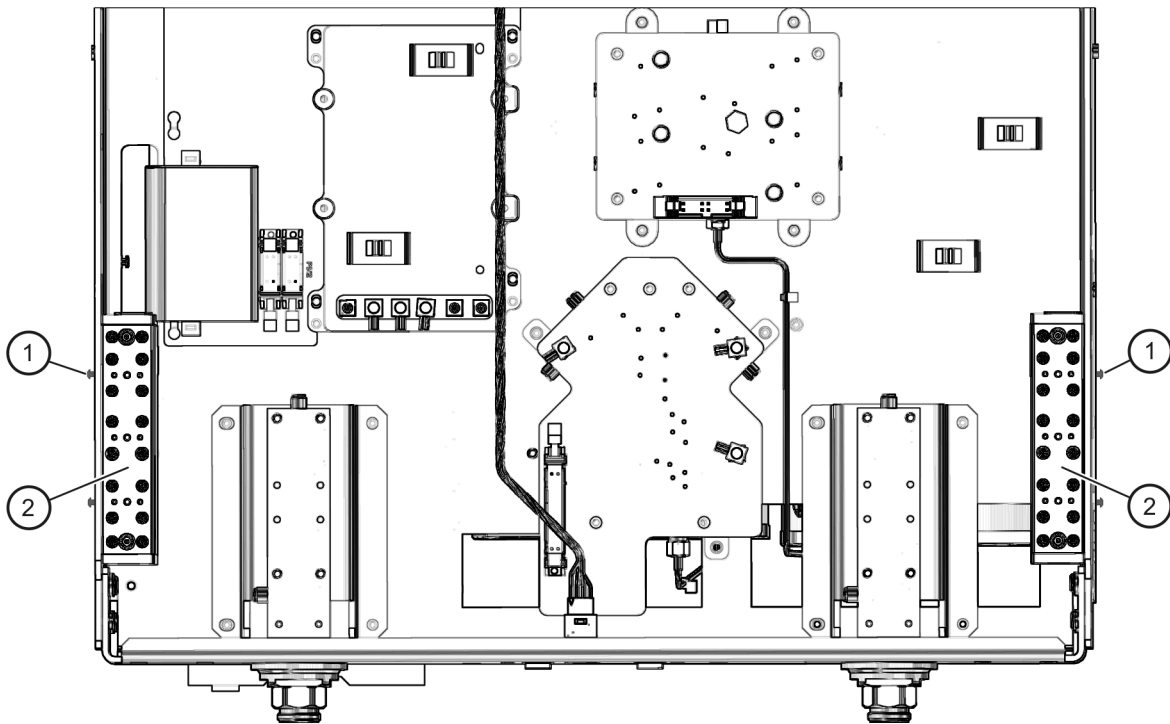
n5230_004_01

Step 4. Install the Step Attenuators

Refer to [Figure 5](#) for this procedure. New parts are listed in [Table 1 on page 5](#).

1. Loosely install two screws (item ①) in the side of each attenuator (item ②). Insert each screw only a few threads into the attenuator.
2. Position the attenuators in the analyzer as shown by aligning the heads of the screws with the slotted holes in the side frame. Make sure the attenuators are positioned so that the ribbon cable connectors are towards the rear of the analyzer.
3. Slide the screws into the slots and tighten the screws to secure the attenuators.

Figure 5 Step Attenuator Installation



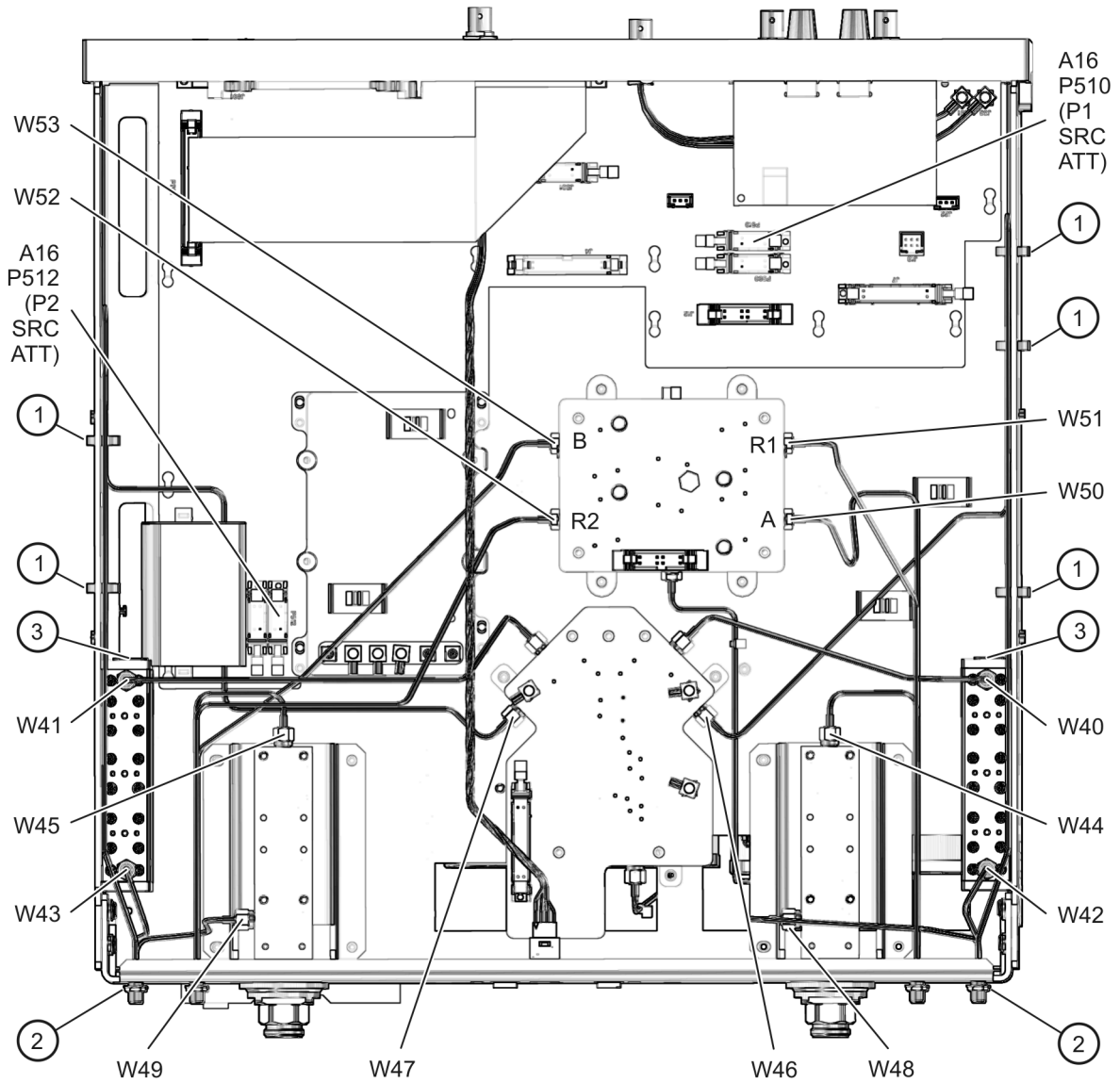
n5230_004_02

Step 5. Install the New Cables

Refer to [Figure 6](#) for the following procedure. New parts are listed in [Table 1 on page 5](#).

1. Install the following cables in the order listed. Use a 5/16-in torque wrench set to 10 in-lbs.
 - W47 A19 SSLAM (R2) to REFERENCE 2 SOURCE OUT
 - W49 A22 test port 2 coupler to PORT 2 CPLR ARM
 - W53 PORT 2 RCVR B IN to A20 mixer brick (B)
 - W43 A26 port 2 step attenuator to PORT 2 SOURCE OUT
 - W44 PORT 1 CPLR THRU to A21 test port 1 coupler
 - W41 A19 SSLAM to A26 port 2 step attenuator
 - W52 REFERENCE 2 RCVR R2 IN to A20 mixer brick (R2)
 - W46 A19 SSLAM (R1) to REFERENCE 1 SOURCE OUT
 - W50 PORT 1 RCVR A IN to A20 mixer brick (A)
 - W48 A21 test port 1 coupler to PORT 1 CPLR ARM
 - W42 A25 port 1 step attenuator to PORT 1 SOURCE OUT
 - W45 PORT 2 CPLR THRU to A22 test port 2 coupler
 - W40 A19 SSLAM to A25 port 1 step attenuator
 - W51 REFERENCE 1 RCVR R1 IN to A20 mixer brick (R1)
2. Secure cables W46 and W47 to the analyzer side frame using cable ties (item ①) in the locations shown.
3. Using a 5/16-in torque wrench set to 21 in-lbs, tighten the hex nuts (item ②) on all 12 front panel cable connectors. It is very important that these hex nuts be tightened to 21 in-lbs.
4. Connect a ribbon cable to each of the step attenuator connectors (item ③):
 - a. The longer cable, 8121-0819, connects between the A25 step attenuator and A16P510 (P1 SRC ATT).
 - b. The shorter cable, 8120-5537, connects between the A26 step attenuator and A16P512 (P2 SRC ATT).

Figure 6 New Cable Installation



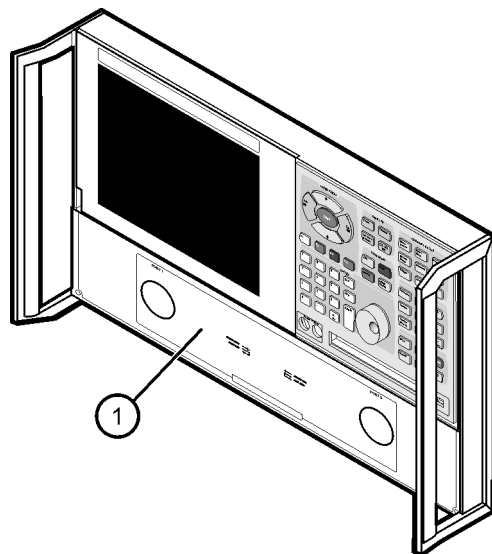
n5230_004_03

Step 6. Replace the Lower Front Panel Overlay

Refer to [Figure 7](#) for this procedure. New parts are listed in [Table 1 on page 5](#).

1. From the back side of the front panel, use a blunt object in one of the cutouts in the lower frame to push the overlay (item ①) and separate it from the front panel.
2. From the front side of the front panel, pull off the overlay completely and discard it.
3. Remove any adhesive remaining on the front panel.
4. Remove the protective backing from the new front panel overlay (item ①).
5. Starting from either the left or right side, *loosely* place the overlay in the recess on the lower front panel, ensuring that it fits tightly against the edges of the recess.
6. Once the overlay is in place, press it firmly onto the frame to secure it.

Figure 7 Lower Front Panel Overlay Replacement



dt519a

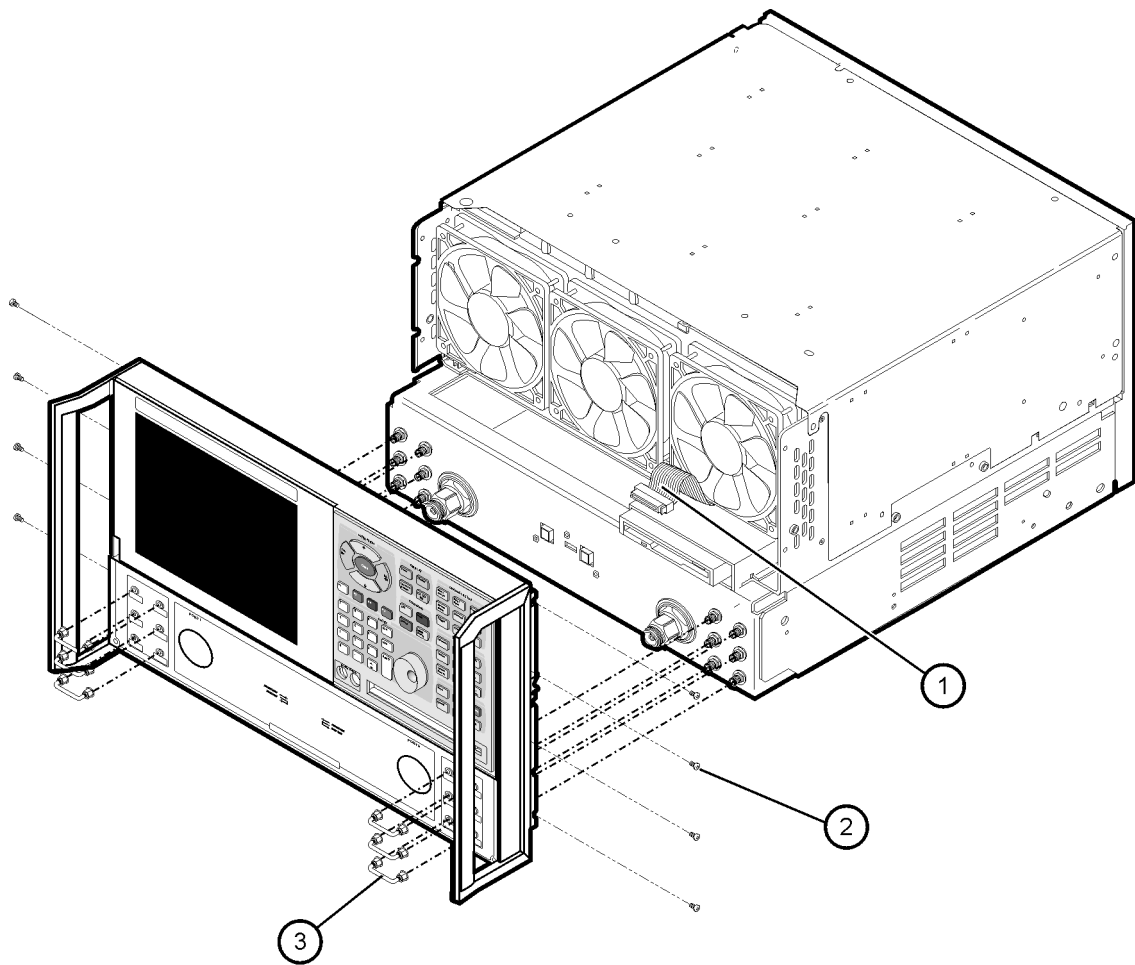
Step 7. Reinstall the Front Panel Assembly and Install the Front Panel Jumpers

CAUTION Before installing the front panel assembly onto the analyzer, lift and support the front of the analyzer chassis.

Refer to [Figure 8](#) for this procedure. New parts are listed in [Table 1 on page 5](#).

1. Make sure all 12 of the hex nuts on the front-panel cable connectors have been tightened using a 5/16-in torque wrench set to 21-in lbs.
2. Reconnect the ribbon cable (item ①) to the A3 front panel interface board.
3. Slide the front panel over the test port connectors being careful to align the power switch and floppy disk drive to their corresponding front panel cutouts. Ensure that the ribbon cable (item ①) is located below the fan to prevent it from being damaged by the fan blades.
4. With a T-10 TORX driver, install the eight screws (item ②) in the sides of the frame.
5. Install the six semirigid jumpers (item ③) on the front panel, and tighten to 10-in lbs.

Figure 8 Front Panel Assembly Reinstallation



dt511a

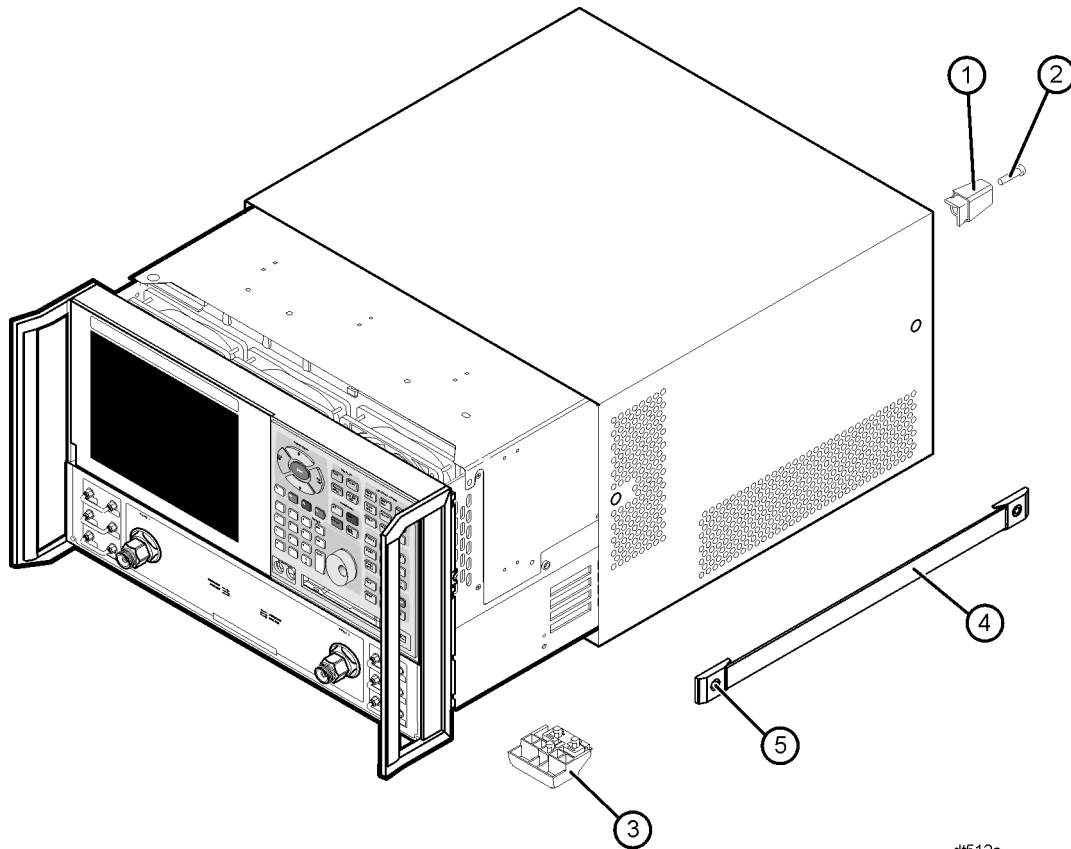
Step 8. Reinstall the Outer Cover

CAUTION This procedure is best performed with the analyzer resting on its front handles in the vertical position. *Do not place the analyzer on its front panel without the handles.* This will damage the front panel assemblies.

Refer to [Figure 9](#) for this procedure.

1. Slide the cover over the analyzer frame.
2. With a T-20 TORX driver, install the four rear panel feet (item ①) by installing the center screws (item ②).
3. Slide the four bottom feet (item ③) into position on the cover.
4. With a T-20 TORX driver, install the strap handles (item ④) by installing the screws (item ⑤) on both ends of the handles.

Figure 9 Outer Cover Reinstallation



dt512a

Step 9. Enable Options 014 and 1E1

Procedure Requirements

- The analyzer must be powered up and operating to perform this procedure.
- The Network Analyzer program must be running.
- A mouse must be connected to the analyzer for this procedure.

Option Enable Procedure

1. On the analyzer's **System** menu, point to **Service**, and then click **Option Enable**.
2. In the **Select Desired Option** list, click **014 - Configurable Test Set**. Click **Enable**.
3. In the **Select Desired Option** list, click **1E1 - Source Attenuators**. Click **Enable**.
4. Click **Yes** in answer to the displayed question in the **Restart Analyzer?** box.
5. When the installation is complete, click **Exit**.

Option Verification Procedure

Once the analyzer has restarted and the Network Analyzer program is again running:

1. On the analyzer's **Help** menu, click **About Network Analyzer**.
2. Verify that "014" and "1E1" are listed after "Options:" in the display. Click **OK**.

NOTE

If Options 014 and 1E1 have not been enabled, perform the "[Option Enable Procedure](#)" again. If the options are still not enabled, contact Agilent Technologies. Refer to "[Getting Assistance from Agilent](#)" on page 3.

Step 10. Perform Post-Upgrade Adjustments and Calibration

Adjustments

The following adjustments must be made due to the hardware changes of the analyzer.

- source calibration
- receiver calibration

These adjustments are described in the PNA service guide and in the PNA on-line HELP. A list of equipment required to perform these adjustments can be found at [“Equipment Required for Post-Upgrade Adjustments” on page 7](#).

Calibration

The analyzer should now operate and phase lock over its entire frequency range.

If you experience difficulty with the basic functioning of the analyzer, contact Agilent. Refer to [“Getting Assistance from Agilent” on page 3](#).

- Although the analyzer functions, its performance relative to its specifications has not been verified.
- It is recommended that a full instrument calibration be performed using the N2721A performance test software.
- Refer to the analyzer’s service guide for information on the performance test software.